

**CHOCTAW
DEFENSE**

BUILT FOR THE BATTLEFIELD



MTVR TRAILERS

MEDIUM TACTICAL VEHICLE REPLACEMENT TRAILERS

ANSI/ISO/ASQ 9001 CERTIFIED/HUBZONE MANUFACTURING FACILITIES/TRIBAL 8(a) CERTIFIED



TOUGH TERRAIN MISSIONS CALL FOR ALL-TERRAIN TRAILERS



TODAY'S MEDIUM TACTICAL VEHICLES SPEND MORE TIME OFF-ROAD THAN ON. THEY DEMAND A MATCHING TRAILER FAMILY WITH THE MUSCLE AND GUTS TO SAFELY HAUL WATER, AMMO, GEN-SETS AND MORE WHILE ENDURING THE OFF-ROAD POUNDING MEDIUM TACTICAL VEHICLES DISH OUT.

MTVR WATER TANK TRAILER



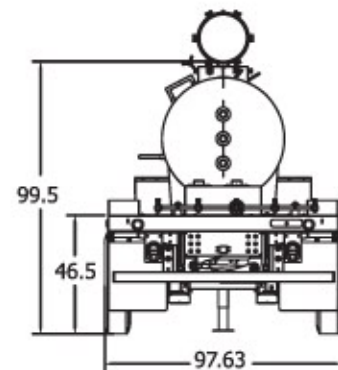
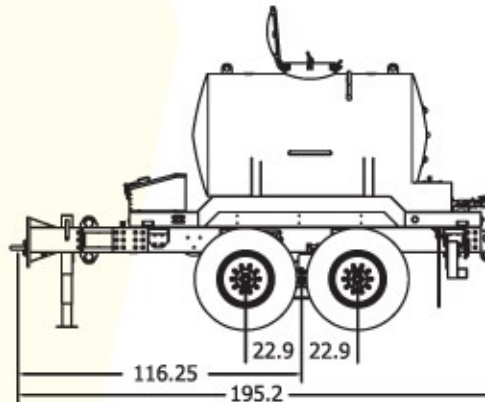
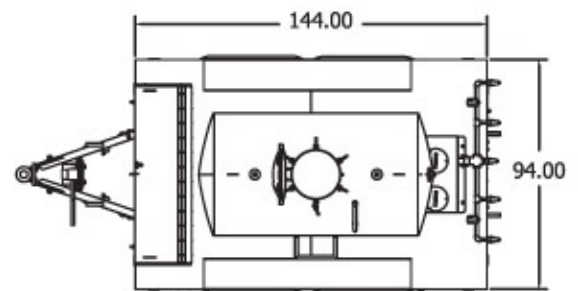
COOL UNDER PRESSURE

The MTVR Water Tank Trailer keeps its cool under pressure. A 600 gallon water tank with upgrades that include:

- Enhanced insulation keeps potable water cool from ambient temperatures of 125°F to -50°F
- Filled with 70°F water: maintains temperature at or below 95°F for 24 hours. Filled with 55°F water: maintains temperature at or above 39°F for 45 hours
- Quick fill-ups with minimal spillage into canteens or 5-gallon cans
- Visual ground-level water level indicator
- 18-inch man-way for tank access

MTVR Water Tank Trailer (600 Gallons)

WEIGHT (LBS)		
Payload	5,620	
Curb	10,840	Tongue: 550
Full Payload	15,880	Tongue: 390



THREE VARIANTS, ONE FAMILY:

The Choctaw Defense designed MTVR Trailer family begins with a rugged common chassis for easy maintenance which requires less training.

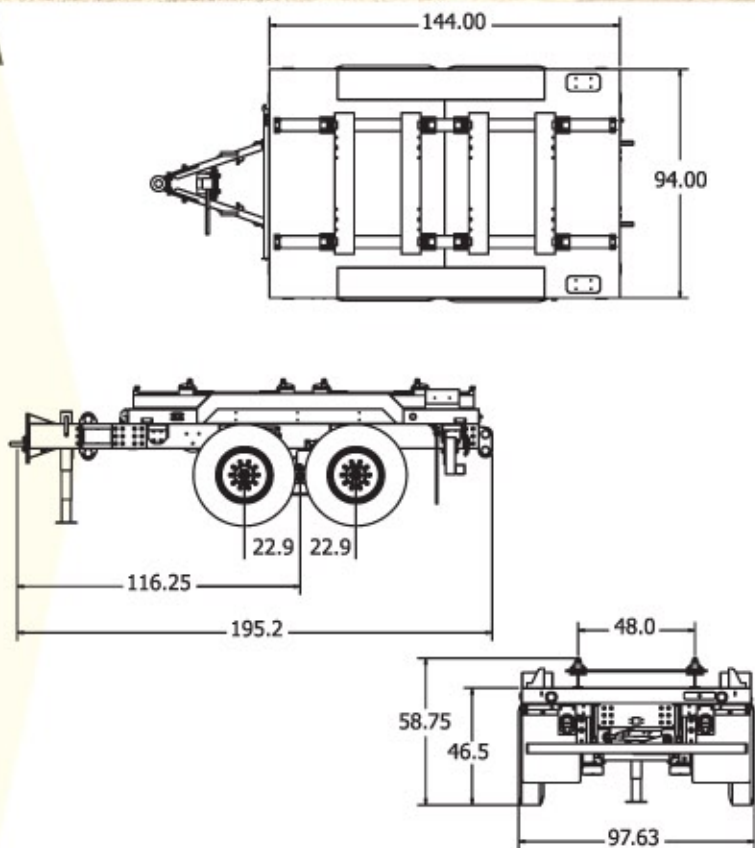
MTVR GENERAL PURPOSE TRAILER



POWER AND CONTROL

The MTVR General Purpose Trailer brings power and light to soldiers in the field. The MTVR General Purpose Trailer uses a work platform similar to MTVR Cargo and MTVR Water Tank variants, but is modified to transport gen-sets and flood light systems. A unique fastening arrangement secures gen-sets to trailers using adjustable clamps which slide along the rail system allowing for a balanced load at multiple load configurations.

The MTVR General Purpose Trailer securely transports two gen-sets from an inventory of 14 different tactical, skid-mounted 30/60/100 kW generator configurations. Placement of the generators allows opening of panel doors for ease of operation and maintenance.



MTVR General Purpose Trailer

WEIGHT (LBS)

Payload	8,000	
Curb	10,705	Tongue: 500
Full Payload	17,161	Tongue: 500



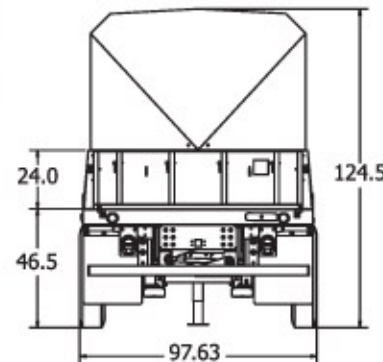
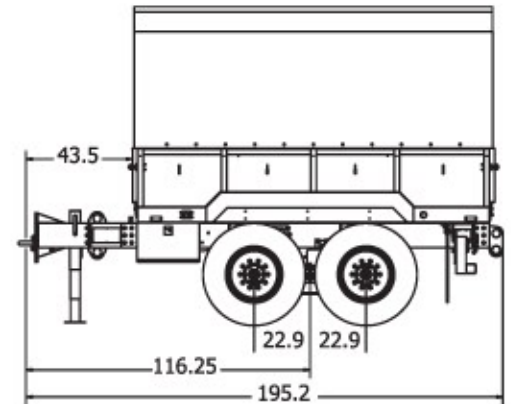
MTVR CARGO TRAILER



IN IT FOR THE LONG HAUL

The MTVR Cargo Trailer hauls everything from ammo to break-bulk. More stability and cargo space plus a hefty 8,000 lb. payload.

Removable and stowable headboard, tailgate and cargo protection make loading and unloading easier and faster. Strategically placed internal and external cargo tie-downs secure a full range of maximum-payload cargo. Weather resistant, easily removable protection shelters all cargo.



MTVR Cargo Trailer

WEIGHT (LBS)		
Payload	8,000	
Curb	10,585	Tongue: 375
Full Payload	18,435	Tongue: 625

LEARN MORE AT WWW.CHOCTAWDEFENSE.COM

ANSI/ISO/ASQ 9001 CERTIFIED/HUBZONE MANUFACTURING FACILITIES/TRIBAL 8(a) CERTIFIED

BUILT TO STANDARDS AS TOUGH AS THE FIELD.



ROOM TO GROW –
Over 400,000 sq. ft. of modern manufacturing facilities, warehouse and office space centrally located at Hugo and McAlester, Oklahoma.

Choctaw Defense is an ANSI/ISO/ASQ 9001 Certified Quality manufacturer with HUBzone advantages. The MTRV Trailers are built to RAM-D standards: Reliability, Availability, Maintainability and Durability. When combined with our Tribal 8(a) status, Choctaw Defense provides a strategic solution.

A three-decade history with military customers plus past expertise in trailer manufacturing has earned Choctaw Defense the U.S. Marine



Corps prototype development contract for three MTRV Trailer variations. Successful government performance and durability testing has been completed and full rate production will be performed at Hugo and

McAlester, Oklahoma manufacturing facilities.

Tools and capabilities include:

- Metal fabrication and forming
- Welding
- CNC machining
- Mechanical and electrical assembly
- Painting
- Chemical finishing
- Integration and kitting
- Auto CAD/CAM product design and prototyping



Chief
Gregory E. Pyle



Asst. Chief
Gary Batton



LEARN MORE AT WWW.CHOCTAWDEFENSE.COM

3 Skyway Drive, McAlester, Oklahoma 74501

800-528-9504

ANSI/ISO/ASQ 9001 CERTIFIED/HUBZONE MANUFACTURING FACILITIES/TRIBAL 8(a) CERTIFIED

WHY CHOCTAW DEFENSE?

- Over 400,000 sq. ft. of Modern Manufacturing Facilities
- Choctaw Financial Strength & Commitment
- ANSI/ISO/ASQ 9001 Certified
- HUBZone Manufacturing Facilities
- Tribal 8(a) Certified

PROVEN PERFORMANCE

- Design, Development and High Rate Production of Improved Army Space Heater (IASH)
- Integration and Kitting: Battle Damage Assessment and Repair Kits (BDAR) – 20,000 kits integrated since 2005
- Black Hawk Helicopter – YAW Flight Control Pedals, Rotary Wing Handling Equipment, Transmission and Rotary Wing Head shipping and storage containers
- Ordnance shipping and storage containers and handling equipment: JSOW, HARM, ROKAF, Paveway, GBU24, MK 82, MK 84, 105mm Howitzer, 30mm A10, 25mm Ammunition Pallet, JASSM Handling Adapter
- Paveway Laser Guided Bomb – Airfoil Guidance Assemblies
- C17 Aircraft Ground Support Equipment: C17 Main Landing Gear (MLG) Lift Truck, Auxiliary Power Unit (APU) Installation Removal, and On Board Inert Gas Generation System (OBBIGS) Maintenance Fixtures

FULL CAPABILITY

- Metal Fabrication and Forming
- Welding (Carbon, Stainless, Aluminum), MIL-Spec (Gas Metal Arc Welding GMAW), (Gas Tungsten Arc Welding GTAW), Spot and Seam
- Vertical and Horizontal CNC Machining Centers, Auto Feeding CNC Lathes, Water Jet Cutting, CNC Plasma, CNC Turret Punch Press and CNC Brakes
- Mechanical and Electrical Assembly
- Painting (Mil Specs, Including CARC)
- Chemical Finishing (Passivation, Chromate Conversion, Anodizing)
- Integration and Kitting
- Auto CAD/CAM Design

CUSTOMERS YOU KNOW

- United States Marine Corps
- United States Army
- United States Air Force
- United States Navy
- Sikorsky
- Raytheon
- Lockheed/Martin
- Battelle
- Boeing

NATIVE STRENGTH:

RAM-D: Reliability · Availability
Maintainability · Durability